




# SS401 series sanitary pressure transmitters

## Features

		
CE conformity	Silicone oil filled	Stainless steel 316L wetted parts

## Descriptions

SS401 series sanitary pressure sensor is designed with piezoresistive sensor technology, and works following the piezoresistive effect, has rugged isolated construction with 316L stainless steel wetted parts, the 316L stainless steel diaphragm ensures a crevice free seal between the process connection and the pressure measuring diaphragm, is available with industry standard 1", 1.5" or 2" sanitary clamp fittings, and features an integral cooling extension between the Tri-Clamp connection and transmitter body, increases the sensor media temperature up to 200°C.



SS401 series pressure sensor for hygienic applications is meet the long reliable service in pressure or level "clean in place" (CIP) and "sterilize in place" (SIP) measurement or maintenance procedures. Typically applications in food processing, beverage or bio/pharmaceutical applications as well as industrial applications that require a rugged, high accuracy pressure transmitter.



## Technical data

Performance (EN 60770)

Accuracy @ 25 °C	± 0.5% F.S. (incl. non-linearity, hysteresis and repeatability)
Non-linearity BFSL (conformity)	± 0.3% F.S.
Hysteresis and repeatability	± 0.1% F.S.
Response time	< 4 ms
Pressure range	Minimum range: 0.1 bar Maximum range: 60 bar See more details in <a href="#">page 5 (part number chart)</a>
Overload pressure	2.0 × F.S.
Pressure type	vented gauge, sealed gauge, absolute
Long term stability	≤ 0.2% F.S./Year
Temperature coefficient	± 0.03% F.S./°C

# SS401 series sanitary pressure transmitters

## Electrical specifications

Output signal	4-20mA	0-10V	0-5V/0.5-4.5V	0.5-4.5V	10%-90%
Supply voltage	9-30Vdc	12-30Vdc	9-30Vdc	5Vdc	5V ratio-metric
Polarity protected	yes	yes	yes	yes	yes
Short-circuit protected	yes	yes	yes	yes	yes
Zero and span adjustment	No	No	No	No	No
Surge protection	yes	yes	yes	yes	yes

## Environmental conditions

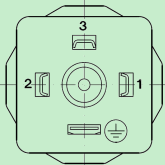
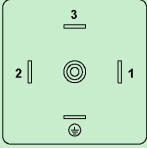
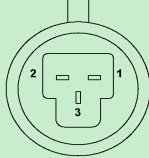
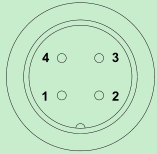
Medium temp range	-40 → +100 °C	More options see <a href="#">page 6</a>
Ambient temp range	-20 → +80 °C (depending on electrical connection)	
Compensated temp range	0 → +70 °C	
EMC - Emission	EN 61000-6-3	
EMC - Immunity	EN 61000-6-1	
Insulation resistance	> 100 MΩ at 250 V	

## Mechanical characteristics

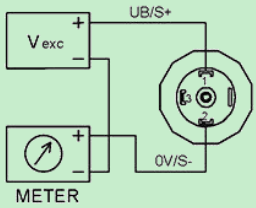
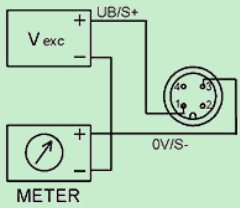
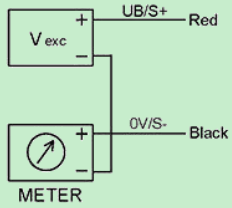
Materials	Diaphragm	Stainless steel 316L (typical)	More options see <a href="#">page 5</a>
	Housing	Stainless steel 304 (typical)	Stainless steel 316L (optional)
	Pressure connection	Stainless steel 316L	
	Electrical connection	Depending on the connection type	
	O-ring	Not used, all stainless steel welding structure	
Pressure connection	1.5" (50.5 mm), 2" (64 mm), 1"(38 mm)		
Electrical connection	DIN43650A, DIN43650C, Cable outlet, M12 × 1, LED Display		
Weight	225-500g (depending on pressure connection and electrical connection)		
Sealing rating	IP 65 (fulfilled together with mating connector)		

# SS401 series sanitary pressure transmitters

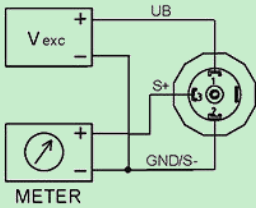
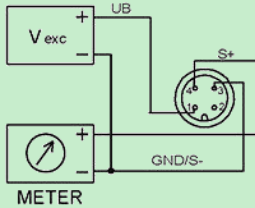
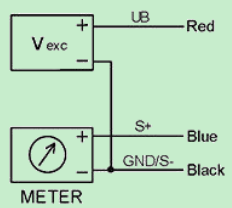
## Electrical connector type

DIN43650A	DIN43650C	3-pin Packard	M12 × 1
			

## Electrical connections for 4-20mA current output signal (2 wire)

DIN43650	M12 × 1	Cable outlet
Pin 1: + supply    Pin 2: + output	Pin 1: + supply    Pin 3: + output	Red: + supply    Black: + output
		

## Electrical connections for 0-10V, 0-5V, 0.5-4.5V voltage output signal (3 wire)

DIN43650	M12 × 1	Cable outlet
Pin 1: + supply    Pin 2: GND Pin 3: + output	Pin 1: + supply    Pin 3: GND Pin 4: + output	Red: + supply    Black: GND Blue: + output
		

# SS401 series sanitary pressure transmitters

Dimensions for electrical connections and housing (Unit: mm)

DIN43650A	DIN43650C	Cable outlet
H = 74 mm	H = 74 mm	H = 64 mm

M12 × 1	LED Display
H = 67 mm	H = 122 mm

Dimensions for pressure connections (Unit: mm)

0 pcs of cooling fins (typical)	3 pcs of cooling fins (optional)	5 pcs of cooling fins (optional)
1 inch clamp   D=38 mm 1.5 inch clamp   D=50.5 mm 2 inch clamp   D=64 mm		

# SS401 series sanitary pressure transmitters

## Part number chart (How to order)

PART NUMBER REQUIRED: **SS401.PL.01.A.01.A.06 (EXAMPLE)**

1	Pressure range(bar)	PL
	NA(-1...0) NB(-0.7...0) NC(-0.5...0) ND(-0.35...0) NE(-0.2...0) NF(-0.1...0) PA(0...0.1) PB(0...0.2) PC(0...0.35) PD(0...0.5) PE(0...0.7) PF(0...1) PG(0...1.6) PH(0...2) PI(0...2.5) PJ(0...4) PK(0...6) PL(0...10) PM(0...16) PN(0...25) PO(0...40) PP(0...60) CA(-1...0.6) CB(-1...1.5) CC(-1...3) CD(-1...5) CE(-1...9) CF(-1...15) CG(-1...24) 1Z(Other pressure range or unit is on request)	
2	Pressure type	01
	01(Gauge) 02(Absolute)	
3	Electrical connection	A
	A(DIN43650A) B(Cable Outlet) C(M12 × 1) D(LED Display) E(DIN43650C) F(Plug type)	
4	Pressure connection	01
	01(1.5"=50.5mm clamp fitting) 02(2"=60mm clamp fitting) 03(1"=38mm clamp fitting) 4Z(Other connection is on request)	
5	Signal & supply	A
	A(4-20mA & 9-30Vdc) B(0-10V & 12-30Vdc) C(0-5V & 9-30Vdc) D(0.5-4.5V & 9-30Vdc) E(0.5-4.5V & 5Vdc) F(0.5-4.5V & 5Vdc ratiometric)	
6	Cable length	06
	01(1m) 02(2m) 03(3m) 04(4m) 05(5m) 06(None) 6Z(Other length is on request)	

NON- REQUIRED: **SS401.PL.01.A.01.A.06 - V3C**

1	Material of housing	V3C
	V3C(Stainless steel 316L)	
2	Material of diaphragm	V4E
	V4D(Titanium) V4E(Tantalum) V4F(Hastelloy-C)	

## Contact us

Company	Ningbo Sendo Electronic Technology CO., LTD	
Email	sales@sendo-sensor.com	
Email	cain.chen@sendo-sensor.com	
Factory	No 15, Yongxing 2nd Rd, Chengbei Industrial Park, Huizhou District, 245900 China	
Office	Building. 1#1108, Wante business center, Hi-Tech, 315040 China	
Website	http://www.pressuresensorsuppliers.com	http://www.sendo-sensor.com
Skype: sendosensor	WeChat: chenjie4884	WhatsApp: +8613616574884
Tel: 0086-0574-27725960	Fax: 0086-0574-27725970	Phone: 0086-13616574884

\*Specifications subject to change without notice, the latest date sheet please contact: sales@sendo-sensor.com

## SS401T series sanitary pressure transmitters for high temperature

### Part number chart (How to order)

PART NUMBER REQUIRED: **SS401.T03.PL.01.A.01.A.06 (EXAMPLE)**

0	Medium working temperature	<b>T03</b>
	T03(150 °C, 3pcs of cooling fins) T05(200 °C, 5pcs of cooling fins) 0Z(Other temperature is on request)	
1	Pressure range(bar)	<b>PL</b>
	NA(-1...0) NB(-0.7...0) NC(-0.5...0) ND(-0.35...0) PC(0...0.35) PD(0...0.5) PE(0...0.7) PF(0...1) PG(0...1.6) PH(0...2) PI(0...2.5) PJ(0...4) PK(0...6) PL(0...10) PM(0...16) PN(0...25) PO(0...40) PP(0...60) CA(-1...0.6) CB(-1...1.5) CC(-1...3) CD(-1...5) CE(-1...9) CF(-1...15) CG(-1...24) 1Z(Other pressure range or unit is on request)	
2	Pressure type	<b>01</b>
	01(Gauge) 02(Absolute)	
3	Electrical connection	<b>A</b>
	A(DIN43650A) B(Cable Outlet) C(M12 × 1) D(LED Display) E(DIN43650C) F(Plug type)	
4	Pressure connection	<b>01</b>
	01(1.5" clamp fitting) 02(2" clamp fitting) 03(1" clamp fitting) 4Z(Other pressure connection is on request)	
5	Signal & supply	<b>A</b>
	A(4-20mA & 9-30Vdc) B(0-10V & 12-30Vdc) C(0-5V & 9-30Vdc) D(0.5-4.5V & 9-30Vdc) E(0.5-4.5V & 5Vdc) F(0.5-4.5V & 5Vdc ratiometric)	
6	Cable length	<b>06</b>
	01(1m) 02(2m) 03(3m) 04(4m) 05(5m) 06(None) 6Z(Other length is on request)	

### Contact us

Company	Ningbo Sendo Electronic Technology CO., LTD	
Email	sales@sendo-sensor.com	
Email	cain.chen@sendo-sensor.com	
Factory	No 15, Yongxing 2nd Rd, Chengbei Industrial Park, Huizhou District, 245900 China	
Office	Building. 1#1108, Wante business center, Hi-Tech, 315040 China	
Website	http://www.pressuresensorsuppliers.com	http://www.sendo-sensor.com
Skype: sendosensor	WeChat: chenjie4884	WhatsApp: +8613616574884
Tel: 0086-0574-27725960	Fax: 0086-0574-27725970	Phone: 0086-13616574884

\*Specifications subject to change without notice, the latest date sheet please contact: sales@sendo-sensor.com