

# SS405 series flush diaphragm pressure transmitters

## Descriptions

SS405 Series heavy duty flush diaphragm pressure sensors are produced based on bonded strain gauge on stainless steel technology. Thanks to the strong stainless steel 316L flush diaphragm, the pressure sensor is very rugged and particularly suitable for pressure measurement where the media is with high viscosity (thick fluids, oils, rubber, pulps, chemical products, etc.) or the traditional pressure transducers with internal measuring chamber can't be used.



The high thickness of the diaphragm makes the product very reliable and suitable for heavy industrial application, it is designed for use with food and industrial fluids that are difficult to measure because of sticking or lugging of orifices, typically slurry, cement, crude oil.

## Technical data

### Performance (EN 60770)

Supply voltage	12-36V
Output signal	4-20mA
Accuracy @25°C (incl. non-linearity, hysteresis and repeatability)	±0.5% F.S.
Response time	< 12ms
Overload pressure	3.0 × F.S. (< 100 bar)
	2.0 × F.S. (< 600 bar)
Pressure range	0...20bar to 2000bar
Pressure type	vented gauge, sealed gauge, absolute
Long term stability	≤0.2%F.S./Year
Temperature coefficient	±0.05%F.S./°C

### Environmental conditions

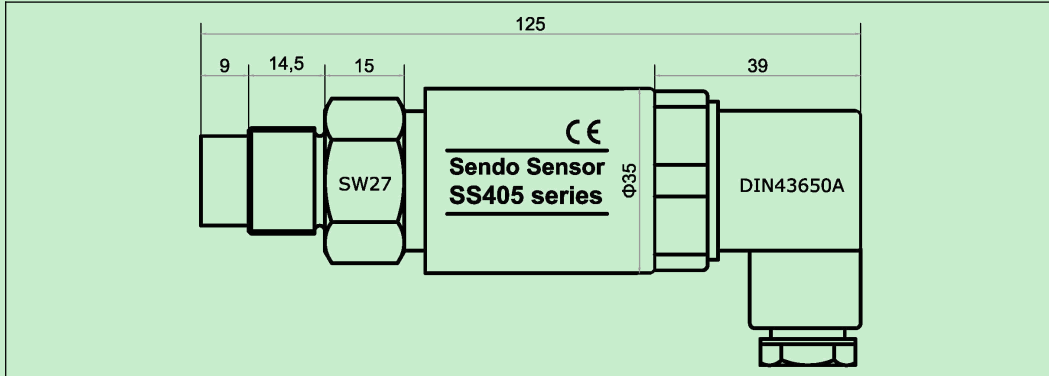
Medium temperature range	-20°C → +100°C
Ambient temperature range (depending on electrical connection)	-20°C → +80°C
Compensated temperature range	-10°C → +70°C
Insulation resistance	>100 MΩ at 250 V

### Mechanical characteristics

Materials	Wetted parts	Stainless steel 316L
	Enclosure	Stainless steel 304
Weight	300g	
Pressure connection	G1/2, PT1/2", 1/2"NPT	
Electrical connection	DIN43650A(Hirschmann)	

# SS405 series flush diaphragm pressure transmitters

## Dimensions



## Electrical connections

	Hirschmann(DIN43650A) connection	Direct cable connection
4-20mA Current output signal (2 wire)	Pin 1: + supply    Pin 2: + output Pin 3: Not used    Earth: Not connected	Red: + supply Green/Yellow: + output
0-10V, 0-5V, 0.5-4.5V Voltage output signal (3 wire)	Pin 1: + supply    Pin 2: GND Pin 3: + output    Earth: Not connected	Red: + supply Green: GND Yellow: + output
IP protection ( fulfilled together with mating connector)	IP 65	IP 65

## Ordering information

EXAMPLE: **SS405 D 01 A**

1	Pressure range(bar) A(0~20) B(0~40) C(0~60) D(0~100) E(0~160) F(0~200) G(0~250) H(0~400) I(0~600) J(0~1000) K(Other pressure range or unit is on request)	<b>D</b>
2	Output signal 01 4~20mA 02 0.5~4.5V 03 1~5V 04 Other signal is on request	<b>01</b>
3	Cable length A None B 1m C 2m D 3m E 4m F 5m G 6m H Other length is on request	<b>A</b>

## Contact us

Company	Ninghai sendo sensor co., Ltd	
Email	sales@sendo-sensor.com	
Email	cain.chen@sendo-sensor.com	
Address	Floor 5, building 2, no.48 jiujuan road, jianggan district, 310000 Hangzhou, China	
Website	http://www.pressuresensorsuppliers.com	http://www.sendo-sensor.com
Skype: sendosensor	We Chat: chenjie4884	WhatsApp: +8613616574884
Tel: 0086-0574-27725960	Fax: 0086-0574-27725970	Phone: 0086-13616574884

\*Specifications subject to change without notice, the latest date sheet please contact: sales@sendo-sensor.com